

PHARMA-SLIDE® BKF

HIGH PERFORMANCE BI-PARTING KYDEX/FIBERGLASS DOOR

The Tightest Sealing and Most Reliable Sliding Pharmaceutical Door Available.

With input from pharmaceutical engineers in the United States and Europe, the Pharma-Slide BKF is designed to meet cGMP guidelines, and to be the tightest sealing, most reliable sliding door available today. The Pharma-Slide BKF is offered in a variety of models with options to meet any pharmaceutical or clean room application.

The powered, bi-parting Pharma-Slide BKF is available with formed stainless steel or Kydex® or fiberglass panels, standard aluminum hood and track with optional stainless steel. The door's smooth surface, with no seams or fasteners, allows for easy cleaning. Full perimeter seals, with guides that attach to the door frame, provide a tight seal.

Shown with optional windows and Pharma-Guard bollards.



Fast - Opens at up to 64 inches per second with independent, adjustable opening and closing speeds to meet any application.

Easy to Clean - Available in formed 304 or 316 stainless steel or impact-resistant Kydex or fiberglass, with no seams on most sizes. No exposed fasteners provide for a smooth, easy to clean surface.

Flush Windows - Optional windows are flush with the panel surface, have no fasteners and can be easily replaced if necessary.

Safe - Adjustable speed allows for smooth, easy opening and closing. The standard safety circuitry reverses on obstruction by monitoring both directions of door movement. Dual electric photo eyes in door frame are standard.

Tight Seal - Specially designed, non-marking grey door seals provide a tight seal and are easy to replace.

Manual Release - The power operated Pharma-Slide BKF can be opened manually in the event of power failure.



Driving The Door Industry.™

PHARMA-SLIDE® BKF

HIGH PERFORMANCE BI-PARTING KYDEX/FIBERGLASS DOOR

Specifications: Subject to change

Model: Rytec® Pharma-Slide® BKF
Bi-Parting Kydex or Fiberglass Door

Standard Size: Up to 8 feet wide by 10 feet high. Consult factory for special sizes.

Door Panel: Constructed of 304 or 316 formed stainless steel, Kydex in bright white or fiberglass. No visible seams for stainless steel panels up to 56 inches wide; 42 inches for Kydex or fiberglass. Panel suspension designed for even weight distribution to reduce component stress. Door panel is adjustable in the vertical and horizontal position to maintain a tight seal. Optional, replaceable, dual-pane vision panel is flush with door panel. Panel guide system is attached to the door frame and not drilled into the floor.

Door Seal: Leading edge, bottom, head and jamb seals provide tight, effective, full-perimeter closure. Seal assemblies are non-marking grey and slide in and out for easy replacement with no visible fasteners.

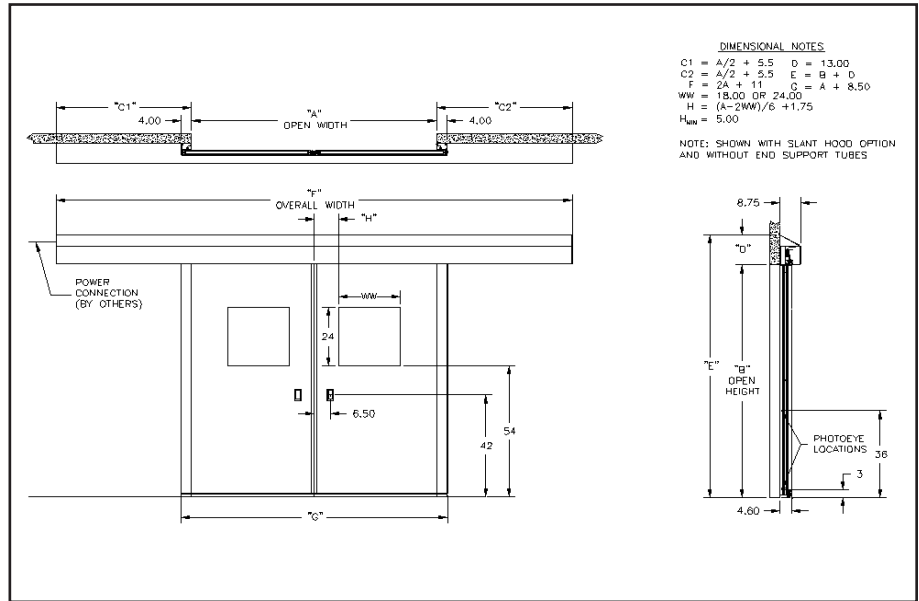
Side Frames / Head / Track Assembly: Custom made to your specifications, in either anodized aluminum, or 304 or 316 stainless steel. Modular design for fast and easy installation. Designed for easy cleaning.

Door Safety: Open and closing speeds are easily adjusted, permitting the user to set the speeds. The standard safety circuitry reverses on obstruction by monitoring both directions of door movement. Dual thru-beam photo eyes in door frame are standard.

Manual Release: In the event of a power failure, the door can be opened manually.

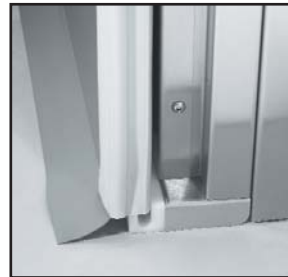
Drive System and Controls: Single-phase, 120V operator provides soft acceleration and deceleration. Independent opening and closing speeds provide flexibility to accommodate any application. Membrane controls mounted on head assembly are very accessible and easy to clean. Various door activation options are available.

Travel Speed: Opens at up to 64 inches per second.



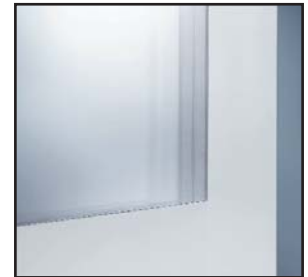
Full-Perimeter Door Seals

Formed panels with full perimeter seals offer a tight seal on all sides of the door panel.



Frame-Attached Door Guides

Door panel guides are attached to the door frame, eliminating the need to drill into the floor.



Flush Vision Panel, With No Fasteners

Optional, replaceable, dual-pane window, with no fasteners, is flush with the door panel permitting easy cleaning and maintenance.



Pharma-Guard Stainless Steel Bollard

Optional Pharma-Guard stainless steel bollard with sloped top is easy to clean, minimizes accumulation of contaminants and provides protection for the door.

Stainless Steel Bollards: Optional Pharma-Guard™ seamless, stainless steel, bollards with sloped tops to minimize accumulation of contaminants are available.

Warranty: One-year limited warranty on materials and workmanship.



One Cedar Parkway
Jackson, WI 53037-0403
Phone: 262-677-9046
Fax: 262-677-2058
Toll Free: 888-GO-RYTEC
Email: info@rytecdoors.com
Web: www.rytecdoors.com